

# GARTEC PLATFORM LIFTS

Gartec PublicLift Access, Outdoor,  
Goods & Half-height gate option

**GARTEC**

AN ARITCO GROUP COMPANY

# GARTEC

Gartec was founded with a clear aim, to become the leader in platform lift solutions with a hassle-free experience, making buildings more accessible, opening up possibilities and options for users. One of our key objectives is to use our expertise and knowledge so that we can deliver exceptional service. The use of well-designed lift products has led us to shape the industry and become an award-winning business.

## OUR PROMISE TO YOU

With over 25 years history and industry knowledge we provide an easy experience, exceeding expectations every time. Our purpose is to provide the right solution to our customers, helping people to live better. Our reliability and consistency is what makes us a popular choice for platform lift products and we always look at ways to continuously improve to support our customers needs.

# THE GARTEC PUBLICLIFT ACCESS RANGE

Our Gartec PublicLift Access, comes in three options and multiple finishes to suit your project.

## STANDARD OPTION

The most versatile platform lift on the market, the Gartec PublicLift Access is a simple, cost effective solution for access in almost any building. The Gartec PublicLift Access range uses our screw & nut system - quiet, efficient and safe. Choose from a huge selection of finishes and colours.

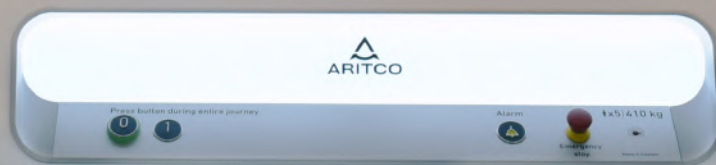
## OUTDOOR OPTION

Our external platform lift, the Gartec PublicLift Access Outdoor option is ideal for outdoor environments with weather resistant features and a door canopy. Gartec servicing packages ensure your lift condition - with packages to suit all budgets and requirements. Our nationwide network of engineers are on hand 24/7 for peace of mind.

## GOODS OPTION

The Gartec PublicLift Access Goods option is designed for easy, fast and safe light goods use, including protective features and higher weight limits to handle trolleys. Our in-house engineers install the Gartec PublicLift range in as little as 2-3 days, and the modular structure is delivered to site on the day you pick.

# PUBLICLIFT ACCESS



## ABOUT

The Gartec PublicLift Access is a public and commercial lift which uses our patented screw and nut technology. It is our simplest lift model – but has the safety features, low energy consumption and customisations you expect from a commercial lift. Larger platform sizes can be fully Part M and Equality Act compliant (please speak to a member of our team), and can be installed in less than one week.

## FEATURES

- No head fixing required
- GL Glass, half-height gate or fire protected doors available
- Glass or solid shaft panels
- Shaft enclosure supplied with lift
- Doors on up to 2 sides
- Safety edges around platform and console
- 50mm ramp or pit

## BENEFITS

- Optimal design and size with a wide range of finishes
- Made using up to 95% recyclable materials
- Energy efficient (low power usage)
- Patented screw/nut technology
- Lowest maintenance and operating costs on the market
- Minimal building work & quick installation
- Self-contained unit (no separate machine room)



# TECHNICAL DETAILS

Type of Lift	Enclosed platform lift intended for use in public & commercial environments
Compliance	European Machine directive 2006/42/EC European standard EN 81-41
Drive System	Patented screw/nut system
Rated Speed	Max 0,15m/s
Travel Height	250mm - 13,000mm
No. Floors	2-6
No. Doors per floor	Max. 2 doors per floor
Pit / Ramp	50 mm (no pit is required when there is a ramp)
Entry	One, two or three sides
Enclosure Top Height	Minimum 2240 mm. Maximum 4000 mm (above top floor served). (1100-1600 mm with half height door)
Platform Controls	Hold to run, the destination button must be kept pressed down during the whole journey
Landing Controls	One touch call, single press operation
Environment	Internal
Emergency Lowering	Battery operated emergency lowering
Control Voltage	24V
Motor	2.2kW
Door Locking system	Electrically operated deadlock
Power supply	1-phase 230V 50 Hz 20 A type C MCB 3-phase 400V 50 Hz 20 A type C MCB
Rated Load	250, 410 or 500 kg (500kg is 3 phase only) (dependent on platform size)
Enclosure	Solid panels or glass (optional)
Doors	GL Full height door as standard EI60 fire doors (optional), half height available (under 3000mm travel only)

## DIMENSIONS

Platform Size	Rated Load	Structural Opening*	Part M Compliance
900 x 1040mm (800mm doors)	250 kg	1305 x 1190mm	N/A
900 x 1280mm (800mm doors)	410 kg	1305 x 1430mm	N/A
900 x 1480mm (800mm doors)	410 / 500* kg	1305 x 1630mm	Through or Single Entry
1000 x 1280mm	410 kg	1405 x 1430mm	N/A
1000 x 1480mm	410 / 500* kg	1405 x 1630mm	Through or Single Entry
1000 x 1980mm	500* kg	1405 x 2130mm	Through or Single Entry
1100 x 1480mm	410 / 500* kg	1505 x 1630mm * For Adjacent entry - 1530 x 1630mm	Through, Single or Adjacent
1100 x 1580mm	500* kg	1505 x 1730mm * For Adjacent entry - 1530 x 1730mm	Through, Single or Adjacent

# OUTDOOR OPTION



## ABOUT

The Gartec PublicLift Access Outdoor option is our external platform lift, ideal for external to internal access with extra features for outdoor longevity. The Gartec PublicLift Access Outdoor option can be used as a wheelchair lift, car park lift, and so much more. Our platform lifts are made from up to 95% recyclable materials, helping to make any project more sustainable.

## FEATURES

- Galvanised roof for external exposure
- GL door as standard, (fire rated door available when opening inside a building)
- Ventilation fan as standard, shaft heating (optional)
- Door canopy for weather protection
- Chromated guides for anti-corrosion protection
- 50mm ramp or pit

# TECHNICAL DETAILS

Type of Lift	External platform lift intended for use in public & commercial environments
Compliance	European Machine directive 2006/42/EC European standard EN 81-41
Drive System	Patented screw/nut system with emergency battery backup
Rated Speed	Max 0,15m/s
Travel Height	250mm - 10,000mm
No. Floors	2-6 (depending on wind loading)
No. Doors per floor	Max. 2 doors per floor
Pit / Ramp	50 mm (no pit is required when there is a ramp)
Entry	One, two or three sides
Top Enclosure Height	Minimum 2400mm. no head fixing required
Platform Controls	Hold to run, the destination button must be kept pressed down during the whole journey
Landing Controls	One touch call, single press operation
Environment	Working temperature range -5 degrees to 40 degrees Windloads up to 25m/s when fixed to a supporting wall or structure Windloads up to 10m/s when supported by Gartec supplied bracket
Emergency Lowering	Battery operated emergency lowering
Control Voltage	24V
Motor	2.2kW (3kW for higher speed)
Door Locking system	Electrically operated deadlock
Power supply	1-phase 230V 50 Hz 20 A type C MCB 3-phase 400V 50 Hz 20 A type C MCB
Rated Load	250, 410 or 500 kg (dependent on platform size)
Enclosure	Solid panels or glass (for windloads 10 m/s only)
Doors	GL Full height door as standard /E160 Fire Doors (optional)

## DIMENSIONS

Platform Size	Rated Load	Structural Opening*	Part M Compliance
1100 x 1480mm	410 / 500* kg	1505 x 1630mm * For Adjacent entry - 1530 x 1630mm	Single, through or adjacent

# GOODS OPTION



## ABOUT

Our Goods option offers a multi-purpose platform lift solution. With light goods capability and an optional raised kerb built to protect the shaft from trolleys and goods, it is one of our most popular lifts due to its practicality. Additionally, this multi-purpose lift can also be used as a wheelchair or passenger lift and like all our platform lifts provides simple commissioning and a quick installation.

## FEATURES

- Minimal builders work compared to conventional goods lifts.
- No head fixing required
- GL door as standard, or fire rated door (optional)
- Higher lifting capacity for goods
- Protective trolley kerb around platform if required
- 50mm ramp or pit



# TECHNICAL DETAILS

Type of Lift	Light goods & passenger enclosed platform lift intended for use in public & commercial environments
Compliance	European Machine directive 2006/42/EC European standard EN 81-41
Drive System	Patented screw/nut system
Rated Speed	Max 0,15m/s
Travel Height	250mm - 13,000mm
No. Floors	2-6
No. Doors per floor	Max. 2 doors per floor
Pit / Ramp	50 mm (no pit is required when there is a ramp)
Entry	One, two or three sides
Top Height	Minimum 2240 mm. Maximum 4000 mm. (1100-1600 mm with half height door)
Platform Controls	Hold to run, the destination button must be kept pressed down during the whole ride
Landing Controls	One touch call, single press operation
Environment	Internal / external
Emergency Lowering	Battery operated emergency lowering
Control Voltage	24V
Motor	2.2kW
Door Locking system	Electrically operated deadlock
Power Supply	1-phase 230V 50 Hz 20 A type C MCB 3-phase 400V 50 Hz 20 A type C MCB
Rated Load	410 or 500 kg (dependent on platform size)
Enclosure	Solid panels or glass (optional)
Doors	GL Full height door as standard EI60 fire doors (optional), half height available (under 3000mm travel only)
Additional Features	Certified for light goods / higher lifting capacity

## DIMENSIONS

Platform Size	Rated Load	Structural Opening*	Part M Compliance
900 x 1480mm (800mm doors)	410 / 500* kg	1305 x 1630mm	Through Car or Single Entry
1000 x 1480mm	410 / 500* kg	1405 x 1630mm	Through Car or Single Entry
1000 x 1980mm	500* kg	1405 x 2130mm	Through Car or Single Entry
1100 x 1480mm	410 / 500* kg	1505 x 1630mm	Through, Single or Adjacent
1100 x 1580mm	500* kg	1505 x 1730mm	Through, Single or Adjacent

# OPTIONS & ADDITIONS

## ABOUT

We have a wide range of options and features available to suit your project, from buttons and different doors, to colours and floor finishes. With over 25 years of history, we have worked with hundreds of companies finding the right lift solution that's perfect for each project, matching our lifts to brand colours or colour schemes, and finishes to compliment the building, we have a lift for every project and options and additions for you to choose from below.

## OPENING



### LANDING CALL STATION

Standard call button placed on door frame with back light in red and green for arrival indication. Available in grey (Anodic colour Natura).



### KEY LOCKING

A key can be used to call and use the lift instead of a button to restrict access. The doors lock 10 seconds after closing. Ideal for school environments.



### PUSH BUTTON & KEY SWITCH

Turn the push button to active or inactive to take the call.



### REMOTE CALL STATION

Mounted away from the lift, either flush or surface mounted. Allows the user to call the lift whilst away from the doors.

## ENTRY



### RAMPED ENTRY

Choose from a 50mm pit, or 50mm galvanised steel ramp at the lowest floor level where a pit is not possible. **PLEASE NOTE:** Threshold and pit drains recommended on the Gartec PublicLift Access Outdoor option.

## DOORS



### GL DOOR & CONCEALED CLOSER

Glass & steel door with concealed closer and aluminium trim to glass areas.



### FIRE DOOR

60-minute fire & smoke protection. Includes concealed door closer and aluminium trim to glass areas. **PLEASE NOTE:** A fire rated shaft to be created around our enclosure.



### HALF HEIGHT GATE (TOP FLOOR)

Includes concealed door closer and aluminium trim to glass areas. Maximum travel height 3m (not available on the Gartec PublicLift Access Outdoor option).



### AUTOMATIC DOOR OPENER

Press the button on the landing call station and the lift door open. Replaces the standard concealed door closer.



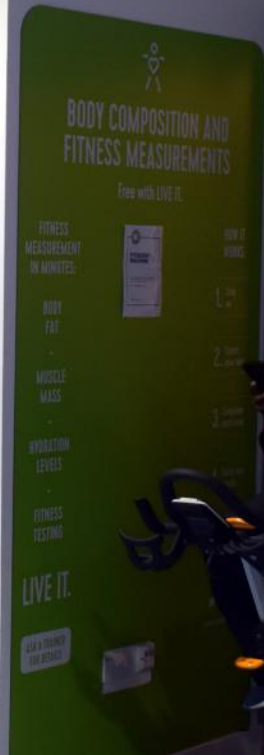
### FAAC DOOR OPENER

Open and closes the door automatically after a pre-set time. Suitable for tougher public and commercial environments.

# OPTIONS & ADDITIONS



The only bad workout is the one you didn't do



## WALLS & SHAFT



### GLAZING TINTS (DOORS & SHAFT)

For doors and shaft, clear glass (JT0) comes as standard, or optionally tinted glass (JT16) can be selected.



### SHAFT PANEL COLOURS

Shaft panels are painted in 9016 (Traffic White) as standard. The standard range shown to the right can be applied to shaft panels, door blades and door frames.

## HANDLES



### TRAFFIC WHITE

Closed end rod style door handle in Traffic White with fingerprint resistant finish, matching the standard internal handrail.



### ANODIC COLOUR NATURA

Closed end rod style door handle in a grey (Anodic colour Natura) option.

## STANDARD RAL COLOUR RANGE

The Gartec PublicLift Access is painted in Traffic White RAL 9016 as standard, the lift, doors and walls all can be selected in another other colour as desired.

Traffic white RAL 9016 <small>*STANDARD COLOUR</small>	Pure white RAL 9010	Grey white RAL 9002
Oyster white RAL 1013	White aluminium RAL 9006	Light ivory RAL 1015
Telegrey 1 RAL 7045	Moss green RAL 6005	Anthracite grey RAL 7016
Brown red RAL 3011	Jet Black RAL 9005	<b>PLEASE NOTE:</b> The actual colour of the lift may differ from the colour samples pictured.

# OPTIONS & ADDITIONS

## PLATFORM & SEATING

### HALF HEIGHT CONSOLE

As standard on the Aritco PublicLift Access. Half height panel houses the controls and handrail, with safety stop edge. Total Height: 1100mm



### FULL HEIGHT CONSOLE WITH MIRROR

Full height panel houses controls, large mirror (with safety edge) and handrail both including LED lighting.



Total Platform Height: 2000mm

### DROP DOWN SEAT

Fold down seat (option) in solid birch, with chromed brackets, to be folded manually after use.



## COMMUNICATION

### ALARM BUTTON

Fitted on the lift as standard, when pressed a buzzer sounds.



### INTERCOM

The platform handset links to an externally mounted handset for communication between the two.



### TELEPHONE

Attached to the platform, this can be used like a normal phone connected to a customer's analog line. Intended for emergencies only.



### AUTODIALLER

Integrated in the control panel and connected to the customer's analog line the autodialler rings a set of pre-entered numbers when the button is pressed. When unanswered, the next number is called.



### AUTODIALLER WITH 2G

A GSM 2G option is also available.



## RAILS

### HANDRAIL

Handrail comes painted in Traffic White (RAL 9016) as standard. Grey (Anodic colour Natura) optional if platform is painted to an optional colour. LED lighting built in projecting down to the floor, (also acts as emergency backup lighting).



## LIGHTING

### CEILING LED DOWNLIGHTS

Built in LED lightbox downlights as standard.



## DESTINATION

### DESTINATION BUTTONS

Round 32mm braille and tactile buttons as standard or optional round 50mm braille and tactile buttons, both show a halo ring for the main floor.



### PLATFORM FLOOR INDICATOR

A voice and LED display notifying the user of the landing reached and the current position of the lift whilst travelling.



### LANDING POSITION INDICATOR

Illuminated LED display showing the current position of the lift from the outside. Positioned on the exterior landing of the lift.



## FLOORING

Choose from the following options for vinyl (standard), rubber and aluminium (optional) flooring. It is possible to order the lift without a flooring which enables you to put in your own flooring (maximum thickness of an externally selected floor is 3mm). **PLEASE NOTE:** Aluminium flooring is not available for platform size 900 x 1040mm.

Dark Grey Vinyl  
\*STANDARD

Light Grey Vinyl  
\*STANDARD

Aged Oak Vinyl  
\*STANDARD

Oiled Oak Vinyl  
\*STANDARD

European Oak Vinyl  
\*STANDARD

Aluminium  
OPTION

Checker Stud Black Rubber  
OPTION

Checker Stud Grey Rubber  
OPTION

# OPTIONS & ADDITIONS



## GOODS & OUTDOOR SPECIALIST OPTIONS



### VENTILATION SYSTEM

As standard, a ventilation fan is installed in the top of the shaft, including upper panels with fan holes and lower panels with ventilation holes.



### WEATHERPROOF ENHANCEMENTS

Corrosion-resistant guides, screw and covers, along with water resistant call button protection, door brush strip and outdoor suitable oil is used for external installations.



### HEATING SYSTEM

A 2000W heater placed at the bottom of the shaft prevents freezing during winter. External power socket required. (Outdoor option only).



### DOOR CANOPY

Sloping roof placed above landing doors to protect doors and users from poor weather, Made of galvanised steel. Painted in Traffic White (RAL 9016). Width: 1160mm, Slope Angle: 23 degrees. (Outdoor option only).



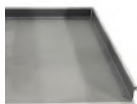
### HIGHER RATED LOAD

Particularly useful for light goods use, the rated load can be increased to 500kg. The higher load requires a 3ph power supply. This must be selected during ordering as load testing is completed during commissioning. (Outdoor option only).



### EXTERIOR ROOF

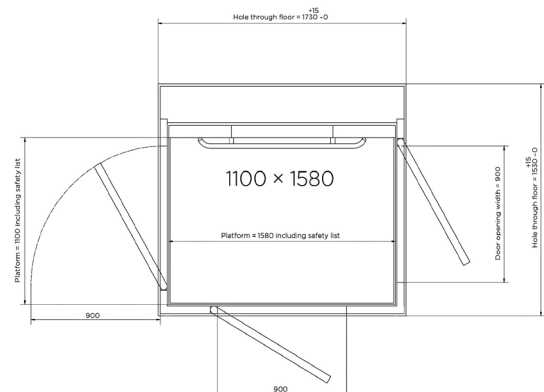
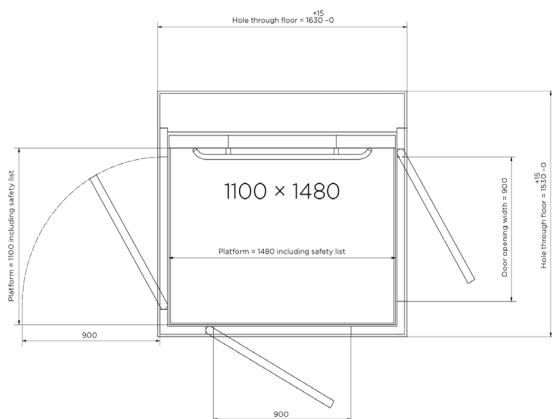
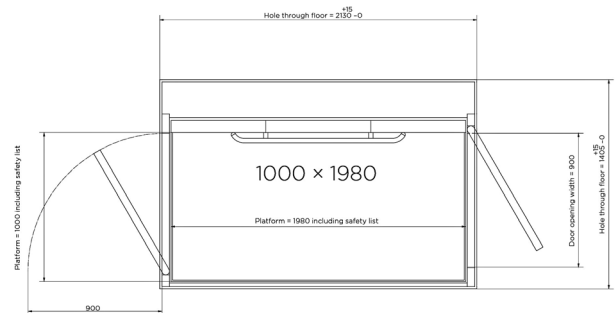
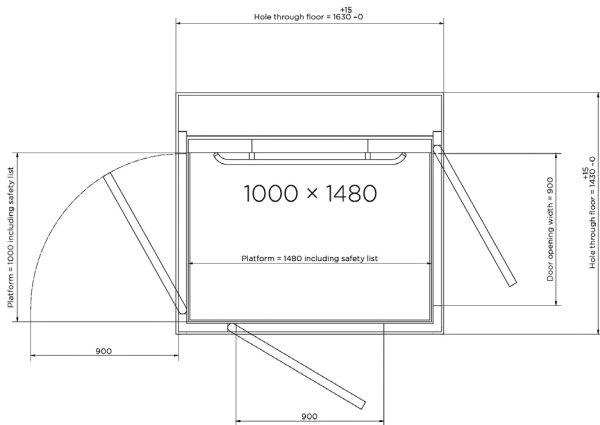
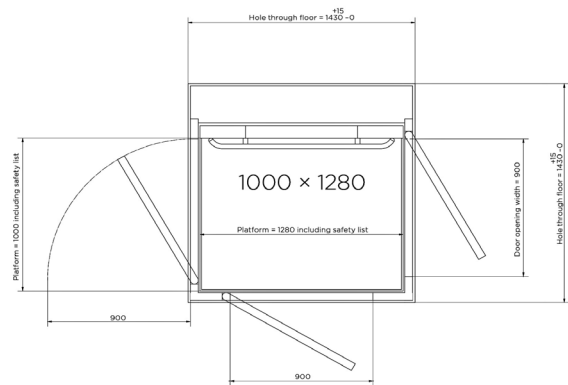
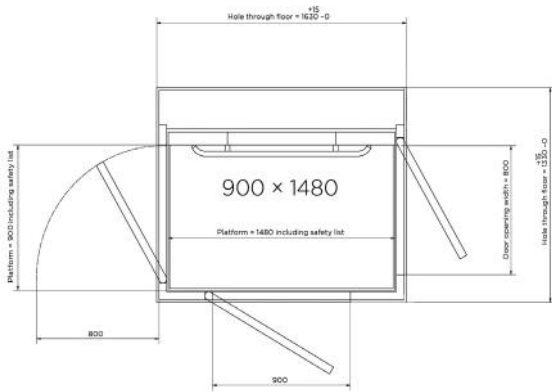
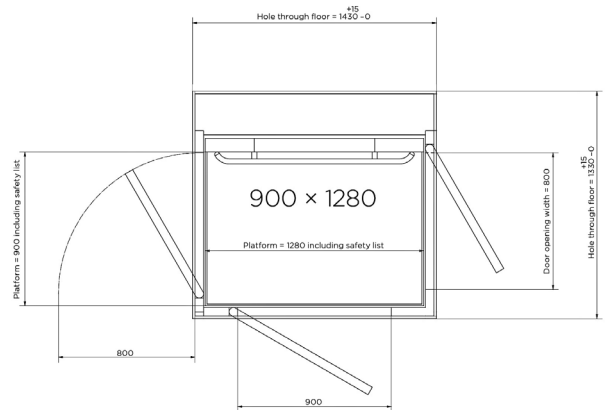
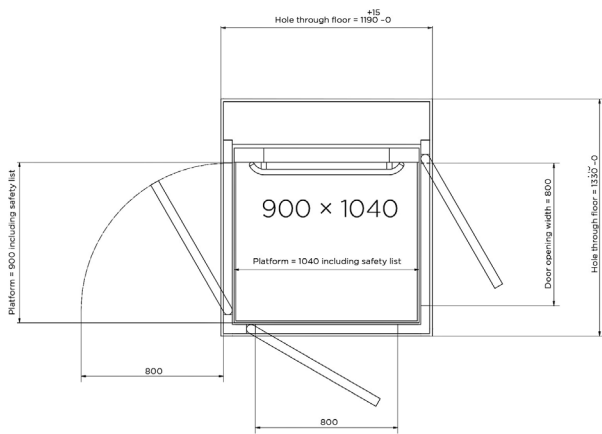
If the top landing is external and not installed in a pre-built shaft, then an external roof is required. Made of galvanised steel and painted in Traffic White (RAL 9016) as standard. An inner ceiling with light must be ordered with the exterior roof.



### RAISED PLATFORM KERB

Around the edge of the platform, a 90mm high kerb prevents damage to shaft walls from impact during loading, or from rubbing during travel. (Goods option only).

# DIMENSIONS



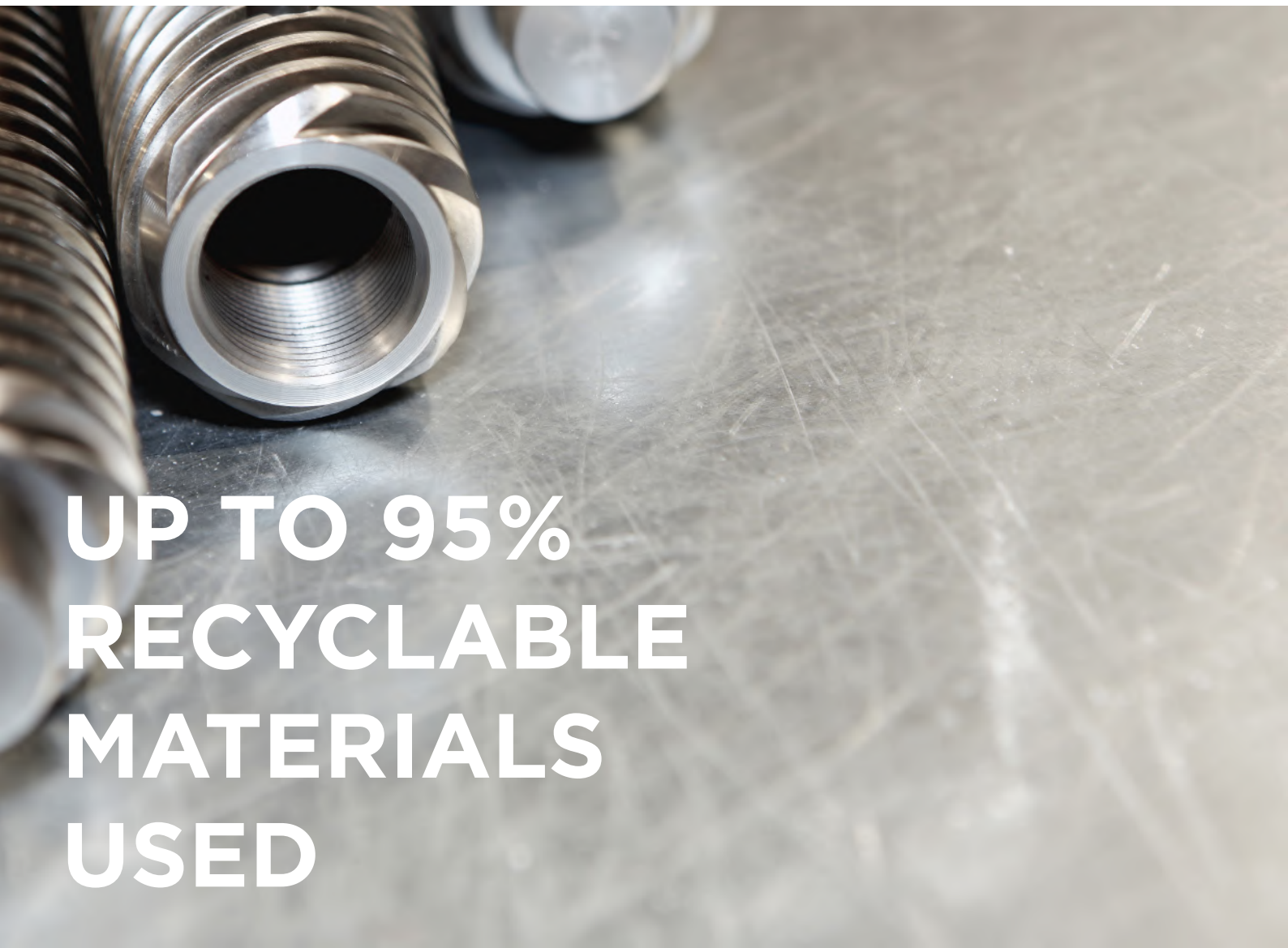
# SUSTAINABILITY

Using steel, aluminium, glass and as little plastic as possible allows for recyclability of almost all the materials that are needed to manufacture Gartec lifts, with up to 92% of the materials used already from recycled and sustainable sources. All that is left which is non-recyclable are parts of the electrical cable system and the battery. Aritco, our parent company are constantly developing our lifts and as battery technology changes, our lifts will be developed to incorporate recyclable batteries.

With rigorous development to achieve maximum recyclability and the forward thinking on materials, manufacturing processes and new technology we are always looking to provide the most eco-friendly lift solutions. We are proud that every step taken from Design to Installation, sustainability and energy efficiency has been factored into the process. When considering energy efficiency in your building design, Gartec lifts are powered by a 2.2kw motor which uses less energy than a standard domestic kettle or hairdryer. Similarly, the low-energy LED lighting and display components all contribute to a more sustainable and greener option compared to a conventional passenger lift option.

Our most popular energy-efficient lift, the Gartec PublicLift Access, shows a reduction of up to 66% annual power usage and cost compared to a passenger lift in the same environment. Furthermore, an annual reduction of up to 75% CO<sup>2</sup> is seen through the production of the annual power used, this makes the Gartec 5000 and Gartec PublicLift Access lifts an excellent choice to contribute to a greener footprint for your next project.

This data compares the Gartec HomeLift Access, Gartec PublicLift Access and the Gartec PublicLift Cabin to a standard eight person Hydraulic passenger lift in a typical school environment with a maximum travel of 3.5m with two-stops



**UP TO 95%  
RECYCLABLE  
MATERIALS  
USED**

# UK'S LEADING SUPPLIER OF PLATFORM LIFTS FOR COMMERCIAL & PUBLIC ENVIRONMENTS



**CONTACT US:**

01296 397100  
sales@gartec.com  
www.gartec.com

## **GARTEC**

AN ARITCO GROUP COMPANY