

Introducing the Scissor Platform Lift

GARTEC
LEADING THE PLATFORM LIFT INDUSTRY

TECHNICAL

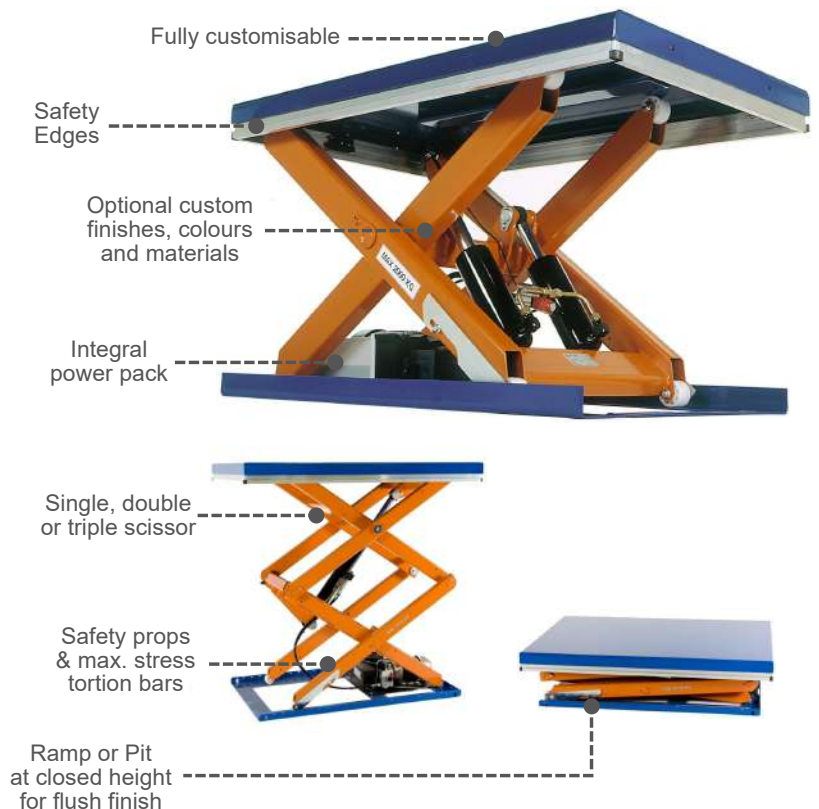
Type of Lift	Scissor Platform Lift Box profile mechanism
Useage	Goods and Passenger or Goods only
Environment	Internal or External
Drive System	Hydraulic cylinder system
Platform Controls	Deadman press to run control Hand held or wall mounted
Power Req.	3ph, 380-500v, 50Hz standard remote or integral power pack
Motor	24V
Compliance	IP54 - electric & hydraulic system ISO 9000 accreditation CE marked

The Gartec Scissor Platform Lift is a simple, effective and safe option for easy internal or external lifting requirements, offering almost any customisations, options and extras.

The scissor platform lift is hugely versatile, with options to fit almost any size, capacity or travel requirements for goods and people. If you have a specific request, just get in touch.

MEASUREMENTS

Travel	600 - 9,500mm
No. of Floors	2
Pit / Ramp	165 - 985mm (pit or ramp) Closed height +5mm
Rated Speed	0.03 - 0.15m/s
Capacity	500 - 10,000kg



SAFETY FEATURES

- Safety edge perimeter bars
- Safety spacing - no trapping points
- Armoured hydraulic hoses with burst valves
- Overload protection - tested to 130%
- Mechanical props/locks for maintenance
- Hydraulic cylinders with high pressure seals
- Microprocessor controlled
- Adjustable flow control valve



Gartec Scissor Lifts in Warehouse

Introducing the Scissor Platform Lift

OPTIONS & EXTRAS

Please contact us to discuss any options and extras you require

Colours Orange and blue as standard
Optional custom RAL colour choice



Rails Supplied as standard without rails
Get in touch to discuss requirements, materials and colours

Buttons Remote or stanchion mounted
Optional lettering and braille

Destination Optional announcer or display when level reached

Power pack Remote or integral power pack
(NB: some sizes/capacities will require a remote pack)

3 phase as standard
Single phase power option

Bespoke Options If you would like a specific feature, material, colour, or design, please just get in touch to discuss how we can help.



Gartec Double Scissor Platform Lift

What do you need?

From site visits to specific drawings, showroom visits to pre-contract meetings, Gartec are experienced and ready to help however we can.

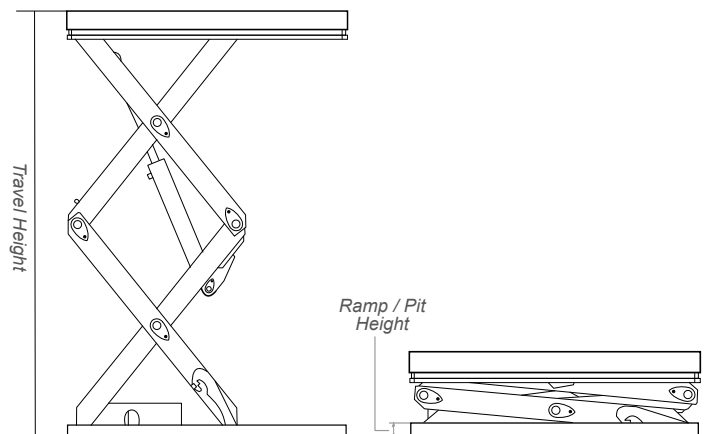


Gartec Scissor Platform Lift

MEASUREMENTS

Type	Single Scissor	Double Scissor	Triple Scissor
Travel	600 - 3,600mm	1,600 - 7,500mm	3,300 - 9,500mm
Platform Width	600 - 2,000mm	700 - 2,500mm	1,000 / 1,200mm
Platform Depth	900 - 5,000mm	900 - 5,000mm	1,700 / 2,200mm
Capacity	500 - 10,000kg	400 - 5,000kg	1,500 / 2,000kg

DIAGRAMS



Gartec reserve the right to make specification changes and improvements without prior notice. Please note options and extras will incur extra charges.