

GARTEC HOME PLATFORM LIFTS

Gartec HomeLift (AHL)

GARTEC LIFTS
HOME DESIGNED
FOR LIFE

GARTEC HOME

Gartec was founded with a clear aim, to become the leader in platform lift solutions with a hassle-free experience, making buildings more accessible, opening up possibilities and options for users. One of our key objectives is to use our expertise and knowledge so that we can deliver exceptional service. The use of well-designed lift products has led us to shape the industry and become an award-winning business.

OUR PROMISE TO YOU

With over 25 years history and industry knowledge we provide an easy experience, every time. Our purpose is to provide the right solution to our customers, helping people to live better. Our reliability and consistency is what makes us a popular choice for platform lift products and we always look at ways to continuously improve to support our customers needs.



“Both our Architect and Building Manager found the Gartec team professional, organised and proactive, and the installation process went smoothly. All the people my husband and I have dealt with have been helpful, and any queries dealt with quickly. The end result is totally integral to the build and reflects the modern architectural style.”

Hazel Coomber, Brentwood

ABOUT HOME PLATFORM LIFTS

Aritco, our Swedish parent company designs and develops our lifts with care and attention, making sure they are stylish, smart and safe for any home. Collaborating with some of Scandinavia's most outstanding designers and artists, the HomeLift is a true piece of art that you can be proud to have in your home.

The Aritco HomeLift is the world's first connected home lift and comes bundled with an app called SmartLift. Create and control lighting schedules and get notifications when maintenance or repairs are needed easily.

Aritco has developed its SmartSafety system to make the whole family feel completely safe. This includes smart doors that know if something is in the way and if so, automatically opens again. It is also possible to lock the lift, preventing children or anyone else from using it.

GARTEC SERVICE

Gartec Home offer an extensive service, from the very beginning where we can help with design, size and lift options suited to your home, through to installation. Once installation takes place you will be given a full handover and training on how to use the lift, including an information pack. We are always here if you need anything.

This extends to after care too. We have a nationwide network of trained and experienced service engineers who can maintain our domestic lifts, giving you peace of mind.

HOME SERVICING

We have a number of service plans suited to every budget offering support, spare parts and engineer visits. Please contact sales@gartec.com to enquire about our full range of service plans. All home lifts installed by Gartec Home undergo extensive home safety checks and are fully compliant with industry standards. Regular maintenance can ensure a long life and a safe operation of the lift. It is therefore recommended that you have at least two professional lift servicing visits every year.

The benefits of having a service plan includes; out of hours emergency assistance phonenumber access, priority response for call outs, discounted parts and additional visits for all lifts with an active maintenance agreement.



FEATURES

The controls on the Aritco HomeLift have been carefully selected to enhance the luxury feel and stylish finish, whilst being easy and comfortable to use.

From the landing, a small illuminated button opens the doors with a smooth motion. Inside the circular dial controller lets you select a floor and begin your journey. All beautifully lit, the HomeLift is the perfect combination of style and functionality.


KEY FEATURES

- Design, sizes and options tailored for private homes
- DesignWall – a backlit wall with selected art from prominent Scandinavian designers
- DesignLight with state-of-the-art lighting which you can control via the SmartLift app
- The lift is operated via a unique solution, a steering wheel called the SmartControl
- Equipped with our SmartSafety system, with safety features to meet all situations that can occur in a home, as well as to prevent accidents

CONTROL PANEL



SMARTLIFT APP

A modern wardrobe with a SmartLift lift and a shoe rack. The lift is a glass-fronted cabinet with a blue light strip at the top and a small control panel on the door. The shoe rack is a dark wood cabinet with multiple shelves holding various shoes. The wardrobe is set in a room with a grey carpet.

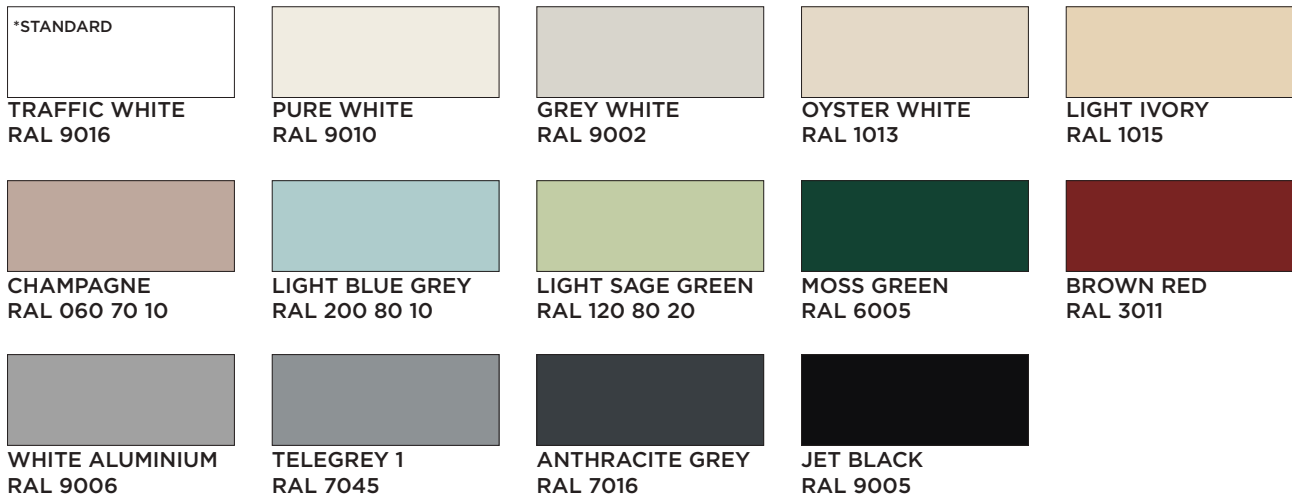
Install the Aritco SmartLift app on your phone or tablet to control the lights in the lift. You can change the colour and brightness to suit your mood as well as setting a standby time. The SmartLift also includes a GSM module that feeds data from the lift to the app about servicing and maintenance.

FINISHES

Each home consists of colour schemes, trends and finishes, Gartec Home offer a number of finishes to match your home aesthetic. Our offering consists of; glass or solid walls, clear or tinted glazing, a broad colour palette, along with the placement of doors. The walls, frames and doors can be painted different colours to match your personal style. Our online configurator allows you to build your lift, so you can easily see how your lift will look (visit gartechome.com).

WALLS & DOORS

As standard, the lift is painted in Traffic White (RAL 9016). The whole lift or doors only can be painted in alternative colour (listed below).



FLOORING

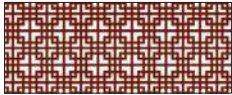
The flooring options available (listed below) have been selected to complement paint finishes and the DesignWall™. If an alternative is preferred to match a home interior this can be discussed at the selection stage.



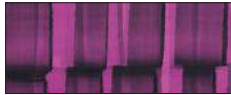
FINISHES

DESIGNWALL™

The DesignWall is a key feature of the Home Lift, tailoring each lift to the style of your home. In addition to the white DesignWall, the following patterns and pictures are available as options. Gartec Home can also provide advice and ideas on using your own print, pattern or photograph for the back wall.



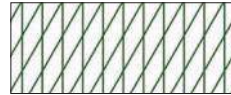
ORIENTALIC
BY ALEXANDER LERVIK



PINK
BY LOTTA INGMAN



ORANGE
BY LOTTA INGMAN



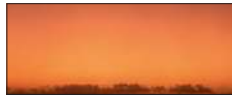
DIAGONAL
ALEXANDER LERVIK



SHEETS
BY RIKARD LILJA



STRUCTURE
BY RIKARD LILJA



KEY WEST
BY ERIK UNDEHN



SKYLINE
BY ERIK UNDEHN







"I would like to say that everyone at Gartec have been very helpful. The lift is my lifeline and enables me to live here." *Barbara, Stourbridge*

"It took just 2 days to install and was far smoother and simpler than I ever imagined." *George Davidson, SW London*

"Gartecs team were friendly and knowledgeable, keeping me informed and even tidied eveeverything up at the end." *Mary Jones, Abingdon*

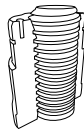
HOW THE LIFT WORKS

Platform lifts are a simple and safe way to travel between floors. Gartec Home lifts are completely contained within their own shaft. They operate using our patented screw and nut technology driving the platform with a reliable, quiet & efficient motor. Two guide rails run from top to bottom on the back of the lift. The platform is connected to the guide rails ensuring a smooth ride is provided. There is no requirement for hydraulic oil, a pump box or a separate machine room which can make it a more cost effective solution.

EMERGENCY BATTERY LOWERING

A secondary motor is fitted to the lift and connected to a battery. In the event of a power failure the lift switches to battery operation and allows the user to return to the floor below and exit the lift without any external assistance. From outside the lift it can be driven up or down via the small external control box.

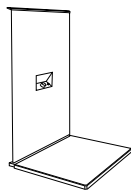
SCREW & NUT TECHNOLOGY



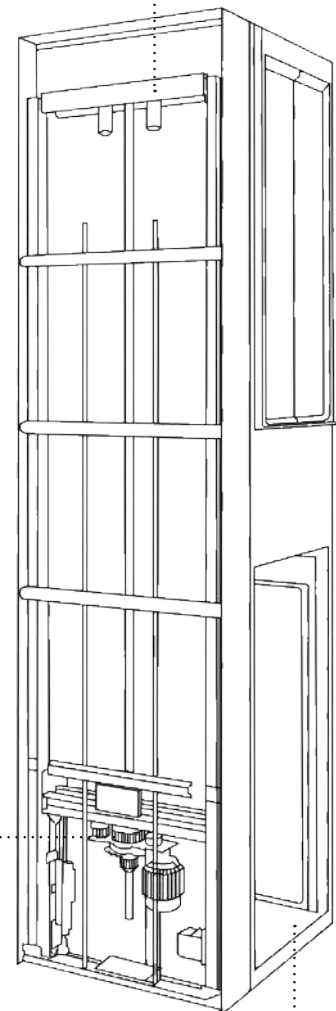
Our patented screw and nut technology drives the lift up and down. A threaded bar runs up the back of the platform to the top of the shaft and a nut which is attached to the platform, is driven up and down by a quiet and reliable motor.

Automatic lubrication of the screw is included as standard. It is connected to a sensor and timer, so an indicator advises when levels are running low.

PLATFORM & TRAVEL



The platform that you stand on and the DesignWall are the only parts that move as you travel up and down. The walls are static, and you see these move past as you travel. To start moving, you hold down the button on the control panel. When you let go, the lift stops moving, meaning you can change direction mid-travel. Around the perimeter of the platform is a safety edge which stops the lift from moving when pressed down due to an obstruction.



TECHNICAL DETAILS

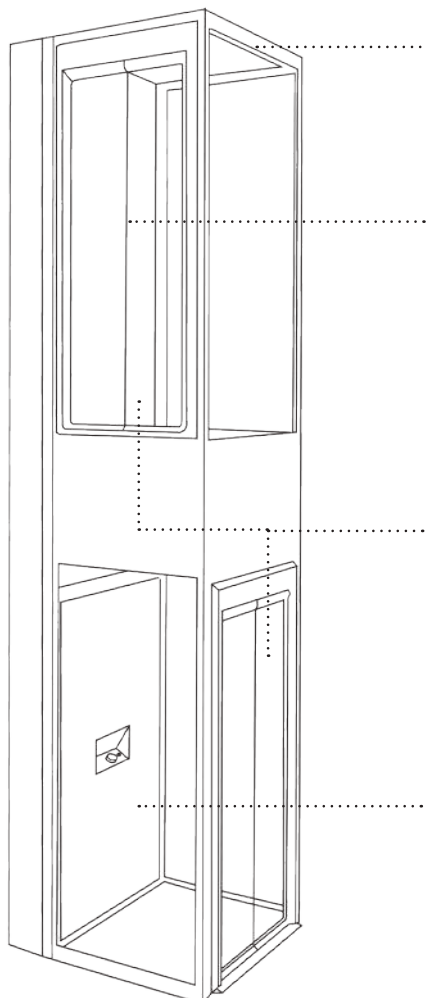
The technical specifications for the Gartec HomeLift (AHL) are listed below. We take approximately 2-3 days to install the lift using a modular system, which means no building works or scaffolding on site. If you need more information, please contact us .

TECHNICAL INFORMATION

Type of Lift	Gartec HomeLift intended for installation in private homes
Technical Compliance	European Machine Directive 2006/42/EC, European Standard EN81-41
Drive System	Screw & Nut System
Installation Environment	Internal
Installation	Recess installation pit: 40mm below floor Install direct on floor: 40mm ramp
Rated Speed	Max 0.15m/s
Power Source	1ph 230V 20A

MEASUREMENTS

Travel Height	250 - 15,000mm
Top Height	Minimum 2225mm
No. of floors	2 to 6 floors
Call Button Controls	One touch operation
Carrier Control Panel	Hold to run (continuous pressure)
Carrier Sizes & Rated Load	S5 600 x 830mm 250kg / 2 person S8 1000 x 830mm 250kg / 3 person S9 1100 x 830mm 250kg / 3 person S12 1000 x 1200mm 300kg / 4 person S15 1100 x 1400mm 400kg / 5 person



LIFT COLOUR

The shaft panels and doors come in white (RAL 9016) as standard.

DESIGNLIGHT™

Change the colour and brightness of the lift lights to suit your mood via the SmartLift app on your mobile or tablet.

LIFT WALLS

Choose between either glass or solid panels.

DOORS

Doors are fitted in the lift walls on each floor. The doors are double doors (two leaves with a central opening). The door leaves are made of glass with painted profiles. The doors automatically open and close and are fitted with small sensors to detect obstruction.

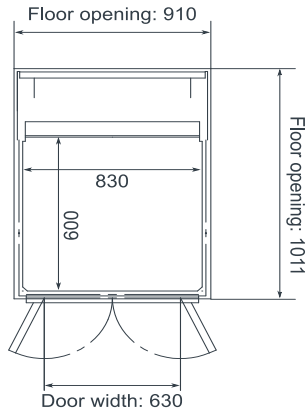
CARRIER & CONTROL PANEL

The carrier consists of a L-shaped platform and a DesignWall that moves up and down when you travel in the lift. The lift is controlled from the panel in the middle of the DesignWall. By turning and pushing the unique SmartControl on the panel, you choose the floor and start the journey.

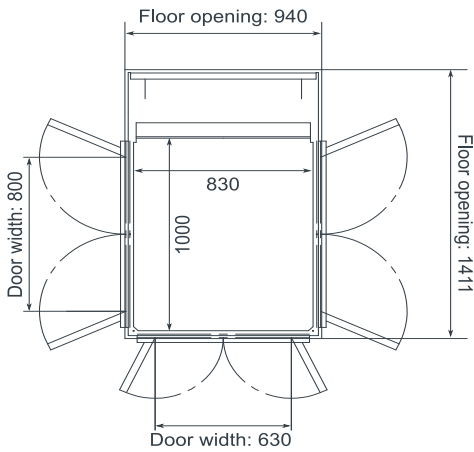
DIMENSIONS

Our 5 platform sizes are shown below with a range of layouts. Please enquire for a specific drawing, we will provide one free of charge as part of our design service.

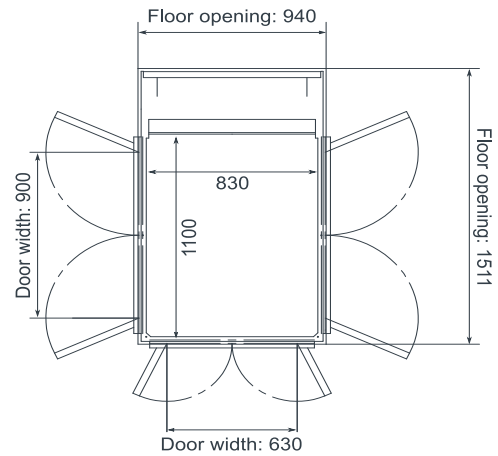
S5



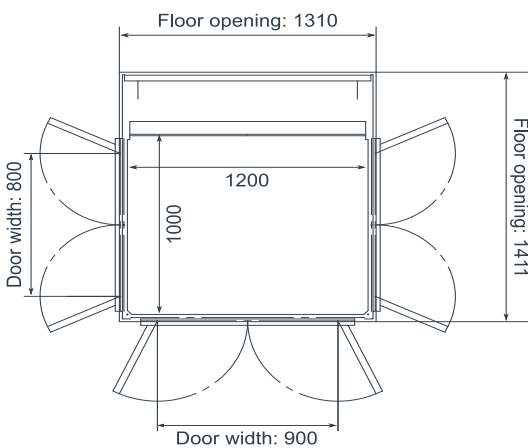
S8



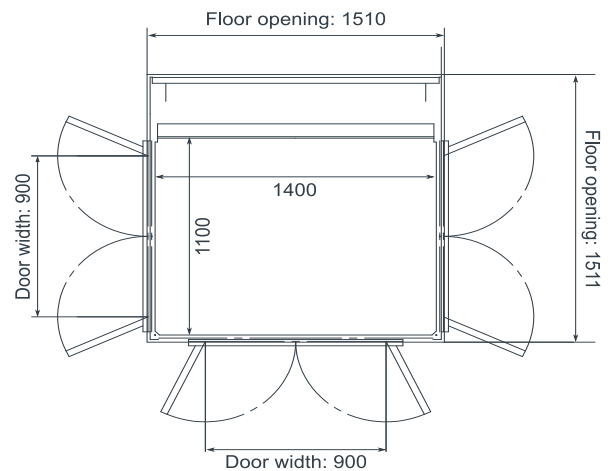
S9



S12



S15



OVERVIEW

TOP HEIGHT

Minimum 2225 to 3000mm

WARRANTY

Gartec HomeLift (AHL) comes with a 24 months warranty. The screw and nut assembly has a 10 year warranty

TYPE OF LIFT

Home lift intended for installation in private homes.

RATED SPEED

Max 0.15m/s

TRAVEL HEIGHT

250 - 15,000mm

TECHNICAL COMPLIANCE

European Machine directive 2006/42 EC,
European standard EN 81-41

DRIVE SYSTEM

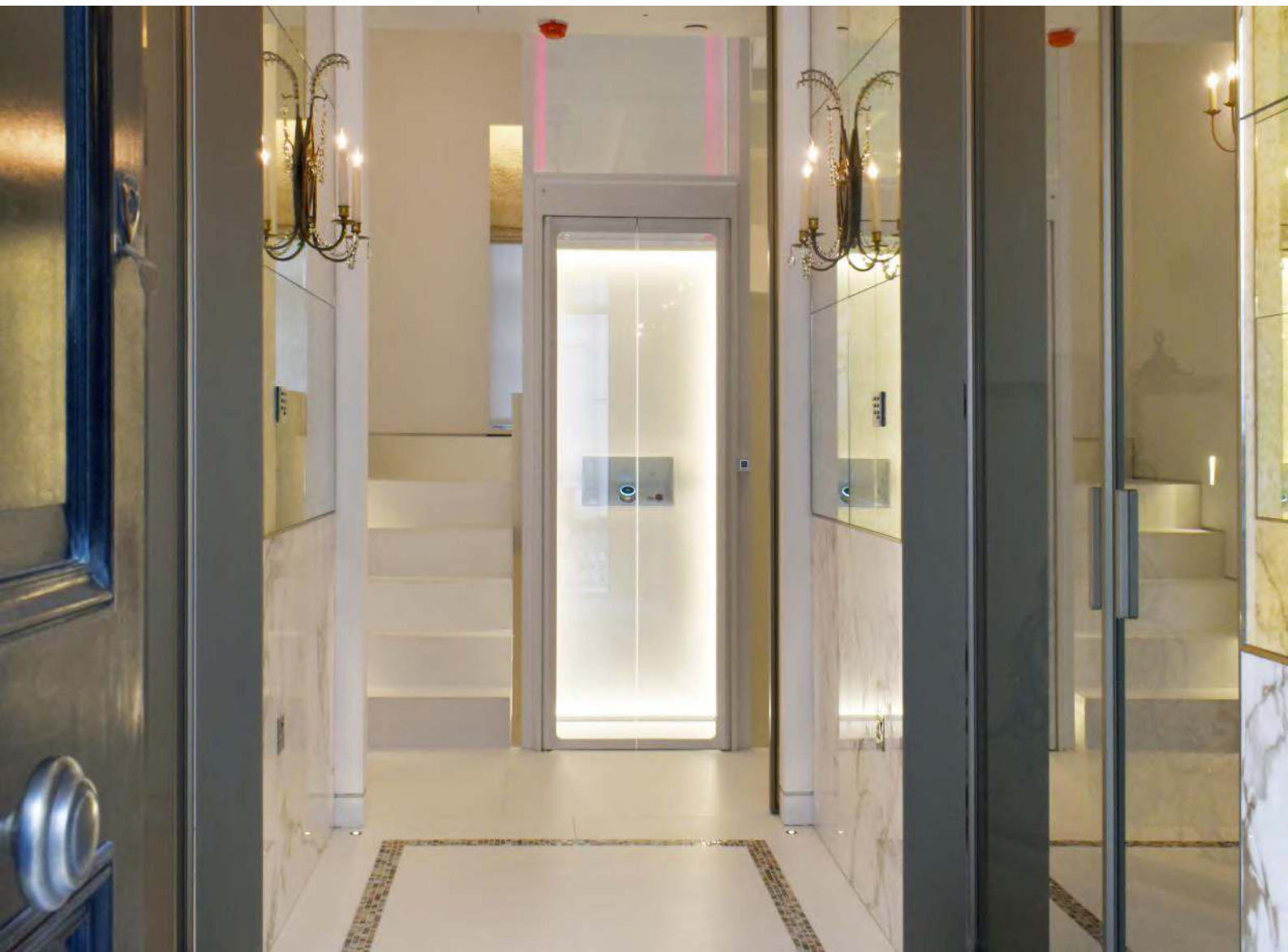
Scw / nut system

NUMBER OF FLOORS

2 to 6 floors

CONTROL PANEL

Hold to run - pressure and hold





CONTACT US:

01296 397100
sales@gartec.com
www.gartechome.com

GARTEC LIFTS
HOME DESIGNED
FOR LIFE